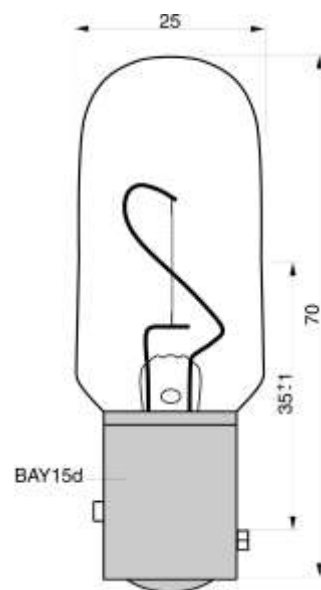
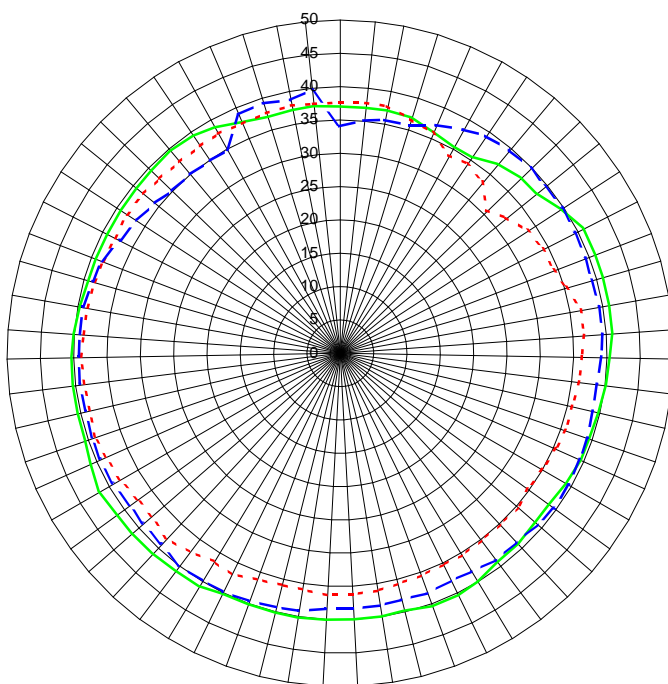


500144 CALEX SM Navigation 24V 30cd 25W Bay15d

Standard	EN 14744
Nominal voltage	24.0 V
Power consumption	Max. 26.5 W
Luminous intensity	30 to 48 cd
Lifetime	Minimum 1000 hours
Diameter max.	26 mm
Length max.	70 mm
Light center length	35 ± 1 mm
Cap	Bay15d, Nickel plated brass
Glass color	Clear
Numbers per box	50 pieces



Candlepower light distribution



Date: 18.03.22
SM number: 10066
Type: 24V 30cd 25W
Voltage: 24.0 [V]
Current: 1079 [mA]
Power: 25.9 [W]
Responsible: Jan Vesterlund

Curve 1: Horizontal 0°
Curve 2: Horizontal -30°
Curve 3: Horizontal +30°



CALEX 500144

SM no. 10066

21. March 2024