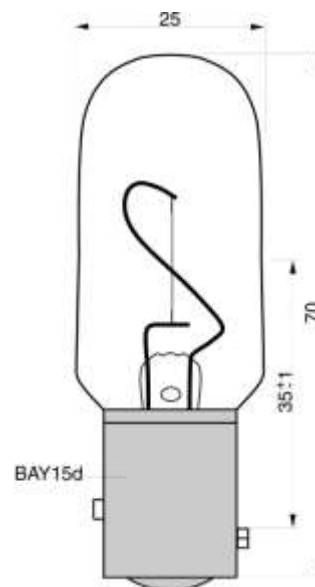
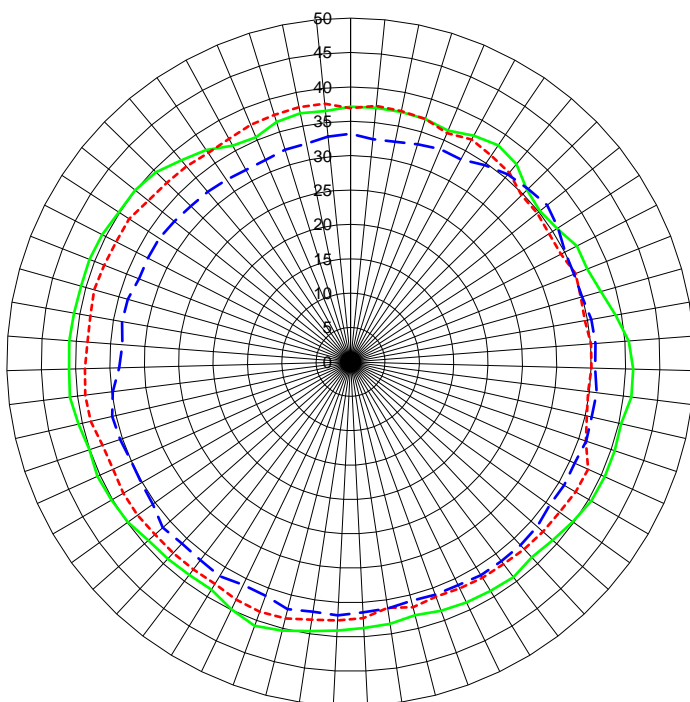


# 500128 CALEX SM Navigation 12V 30cd 25W Bay15d

Standard	EN 14744
Nominal voltage	12.0 V
Power consumption	Max. 26.5 W
Luminous intensity	30 to 48 cd
Lifetime	Minimum 1000 hours
Diameter max.	26 mm
Length max.	70 mm
Light center length	35 ± 1 mm
Cap	Bay15d, Nickel plated brass
Glass color	Clear
Numbers per box	50 pieces



## Candlepower light distribution



Date: 18.03.22  
SM number: 10065  
Type: 12V 30cd 25W  
Voltage: 12.0 [V]  
Current: 2113 [mA]  
Power: 25.4 [W]  
Responsible: Jan Vesterlund

Curve 1: Horizontal 0°  
Curve 2: Horizontal -30°  
Curve 3: Horizontal +30°



danlamp®

CALEX 500128

**SM no. 10065**

21. March 2024