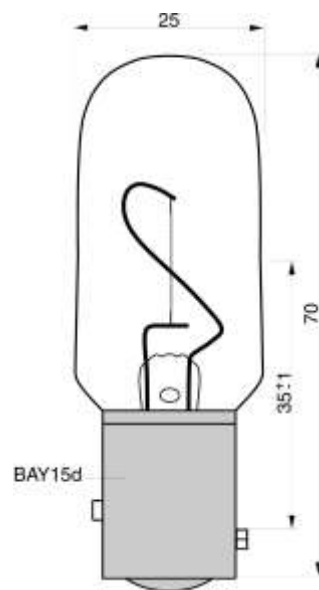
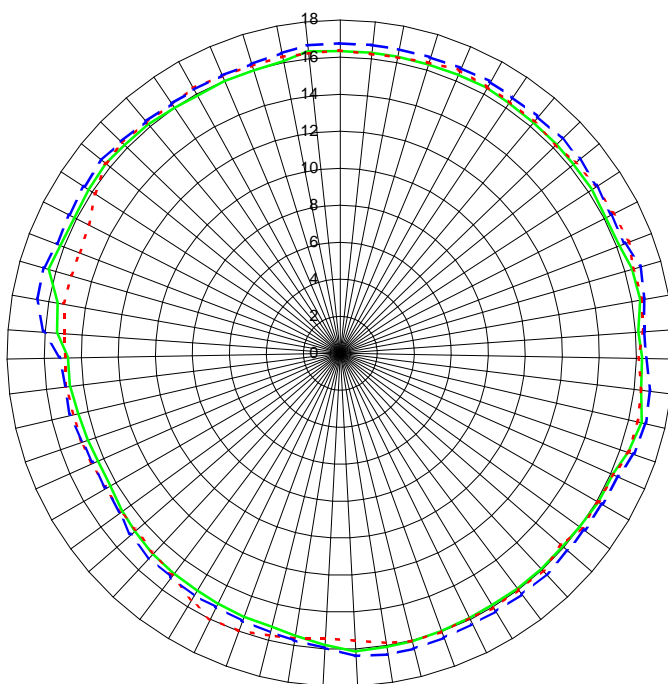


500120 CALEX SM Navigation 12V 12cd >10W Bay15d

Standard	EN 14744
Nominal voltage	12.0 V
Power consumption	Max. 18 W
Luminous intensity	12 to 20 cd
Lifetime	Minimum 1000 hours
Diameter max.	26 mm
Length max.	70 mm
Light center length	35 ± 1 mm
Cap	Bay15d, Nickel plated brass
Glass color	Clear
Numbers per box	50 pieces



Candlepower light distribution



Date: 11.06.22
 SM number: 10129
 Type: 12V 12cd >10W
 Voltage: 12.0 [V]
 Current: 1362 [mA]
 Power: 16.3 [W]
 Responsible: Jan Vesterlund

Curve 1: Horizontal 0°
 Curve 2: Horizontal -30°
 Curve 3: Horizontal +30°



danlamp®

CALEX 500120

SM no. 10129

21. March 2024